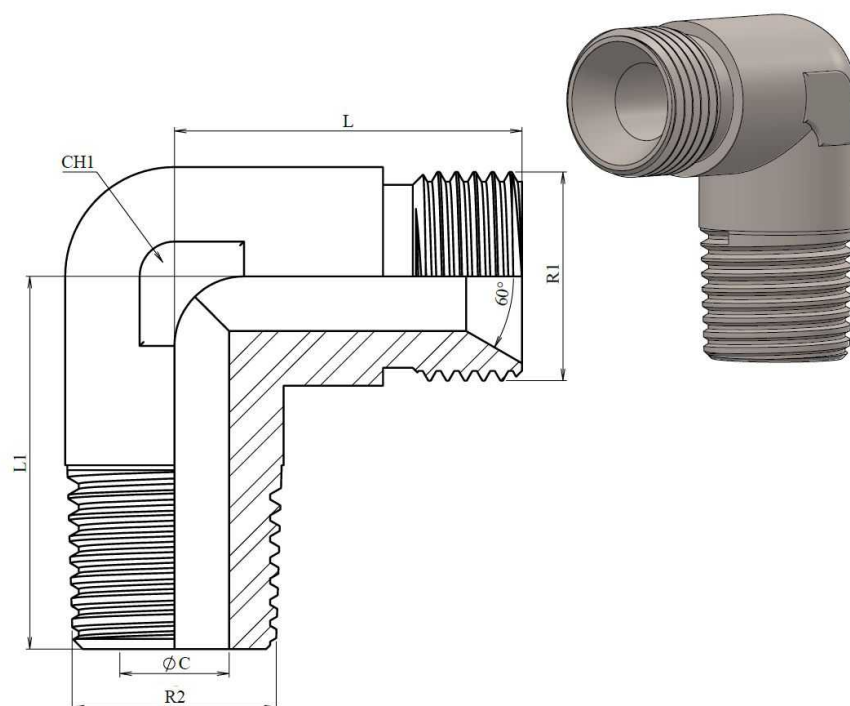


Adaptadores BSP

Codos en forja

Codo 90° macho BSP 60° - macho BSPT

Acero Inoxidable AISI 316-L



Artículo	R1	R2	L	L1	CH1	ØC
Z119202	1/8" BSP	1/8" BSPT	25,4	24,5	14	3,5
Z119204	1/4" BSP	1/4" BSPT	25,4	26	14	6
Z119206	3/8" BSP	3/8" BSPT	28,5	28	20	8
Z119208	1/2" BSP	1/2" BSPT	32,5	34,5	27	11
Z119212	3/4" BSP	3/4" BSPT	41,3	39	28	18
Z119216	1" BSP	1" BSPT	44,5	50,5	36	22
Z119220	1"1/4 BSP	1"1/4 BSPT	50,8	54	41	28
Z119224	1" 1/2 BSP	1" 1/2 BSPT	54	54	41	30